



## *News Release*

FOR IMMEDIATE RELEASE

April 7, 2020

Contact: Tai Burkhart, [tburkhart@co.buchanan.ia.us](mailto:tburkhart@co.buchanan.ia.us)  
Michelle McBride, [mmcbride@bchealth.org](mailto:mmcbride@bchealth.org)

### **Homemade Gown & Mask Request for Buchanan County**

There is a national shortage of commercially-produced personal protective equipment (PPE), including face masks and gowns for healthcare providers. Many individuals in the county have made masks for our healthcare providers in Buchanan County. Thank you to all who have donated! We would encourage anyone who can to continue to make and donate masks and gowns to do so. Buchanan County Public Health Department (BCPH), Buchanan County Health Center (BCHC), and Long-Term Care Centers in Buchanan County are all working together during this time and would like to provide guidance on these mask and gown donations:

#### Mask Guidelines:

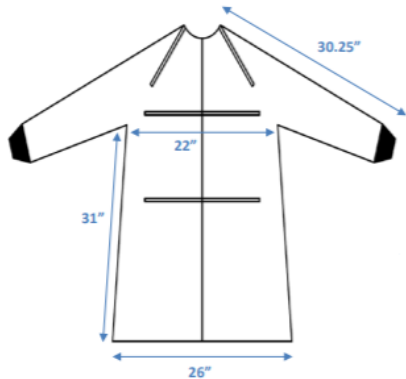
- 100% cotton fabric, tightly woven, minimum of 160 thread count per square inch
- Ties and tape-100% cotton-white or natural color-minimum ¼ inch thick
- Nose piece-minimum 4 inches long-plastic coated wire twist ties
- Mask size when complete-7 inches wide by 3.5 inches long
- 3 pleats per mask facing upward (from outside view)
- The mask should have two layers of fabric

There are many different patterns available on the internet, please choose one that meets these specifications above. **Additionally, BCHC is requesting filter pocket masks which can be found online at [bchealth.org/covid19](http://bchealth.org/covid19).**

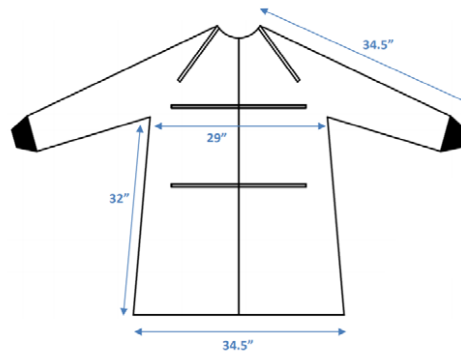
Homemade gowns must be made of polyester or polyester-cotton fabric, gowns made of these fabrics can be safely laundered using routine procedures and reused. Below is some guidance on measurements; however there are many patterns online. Measurements can also be found at [bchealth.org/covid19](http://bchealth.org/covid19).



Measurements for Small/Medium Gowns



Measurements for Large/Extra Large Gowns



Please drop off homemade masks and gowns at First Presbyterian Church in Independence located at 115 6<sup>th</sup> Ave NW. There will be a tote to collect donations outside of their main door during the church's office hours of Tuesday-Friday from 8:30-4:00. In our efforts to reduce the spread of COVID-19 please do not deliver these donations directly to any facility.

To learn more about COVID-19 in Iowa, visit <https://idph.iowa.gov/Emerging-Health-Issues/Novel-Coronavirus>, call 2-1-1 for general information, your healthcare provider, or the BCHC Call Center at 319-332-0894.

###